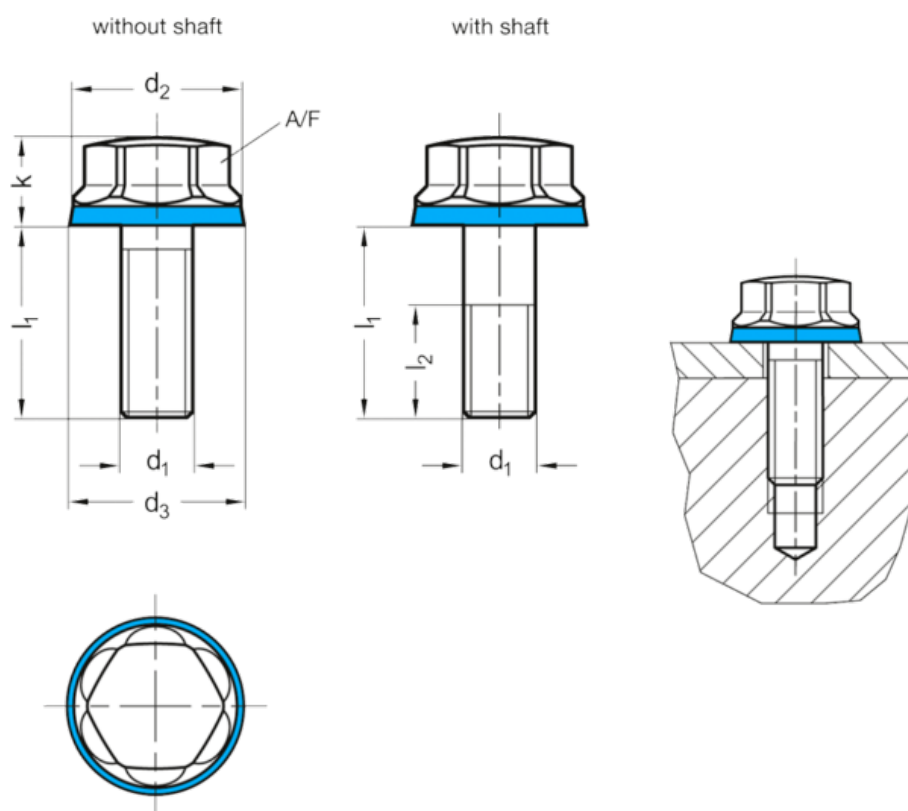


Article number: 201581M1050PLE

Description: E+G Screw GN 1581-M10-50-PL-E
EPDM Sealing ring in hygienic design

Measures



| | | |
|------------------|--------|--------------------|
| A/F | = 16 | Weight in (g) = 46 |
| d1 | = M10 | |
| d2 | = 19 | |
| d3 | = 19.8 | |
| l1 without shaft | = - | |
| l1 with shaft | = 50 | |
| l2 | = 26 | |
| k | = 9.5 | |